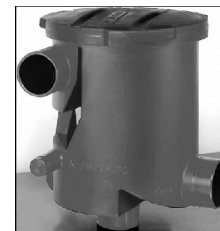
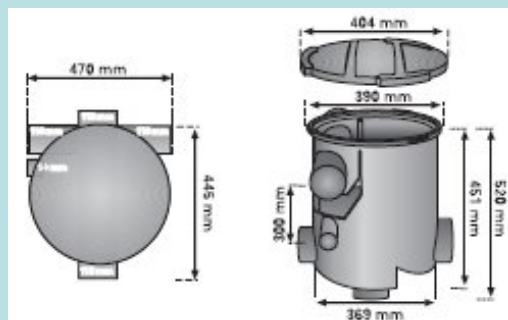


Description:

- A rainwater filter suitable for roof sizes up to 500m².

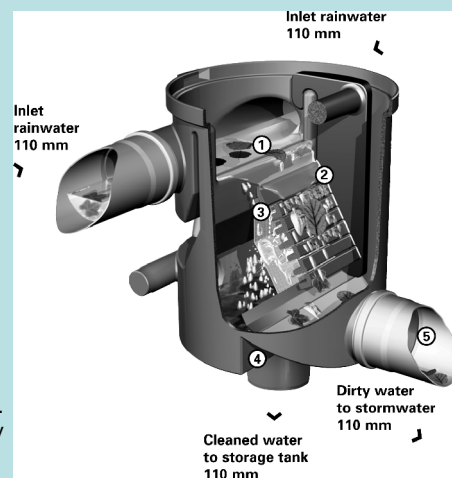


Technical Data



How it works

- As water arrives the level builds up and is equally distributed across the cascade.
- Pre cleaning happens through the cascades. The largest dirt particles are led across the primary filter cascades directly to the stormwater.
- Pre filtered water then flows over the secondary filter sieve (mesh size 0.65 mm). Due to the special mesh structure of the sieve, any dirt washes directly into the stormwater. Therefore this requires very low maintenance.
- Cleaned water flows to storage.
- Dirt goes to the stormwater.

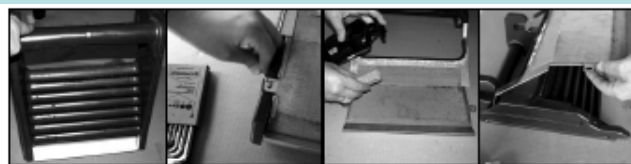


Installation

- Connections to the Titan RainStore 500 Filter can be made with universal connectors.
- Rainwater enters through the upper Inlets, at 110 mm. For roof areas up to 270m² connect from either right or left.
 - For roof areas above 270m² we recommend you connect from both sides, in order to obtain the maximum filter efficiency.
 - Saw off 1 cm from the outside of the selected Inlet(s).
 - Cleaned water is led via the outlet 4 at 110 mm to the storage tank.
 - Dirty water goes via the outlet 5 at 110 mm to waste.
 - Install the Titan RainStore 500 Filter horizontally

Maintenance Advice

The filter requires cleaning regularly. If it is not raining unscrew the lid of the housing and clean the tray and filter element with a water jet. Then remove the filter element. Using a 3 mm Allen key undo the screws retaining the filter mesh. Rinse the filter mesh with water. Clean both sides with mild detergent and a stiff brush to help dissolve any fatty deposits or hydrocarbon build up. Rinse it again. Do not use a metal brush which may damage the filter mesh. You may also put the filter mesh into a dishwasher. After cleaning examine the filter by holding it up against the light and inspect for any blocked holes in the filter mesh. If the filter is clean put the filter mesh back and refix in position.



Insert the filter element into the housing

Guarantee Period : 2 Years