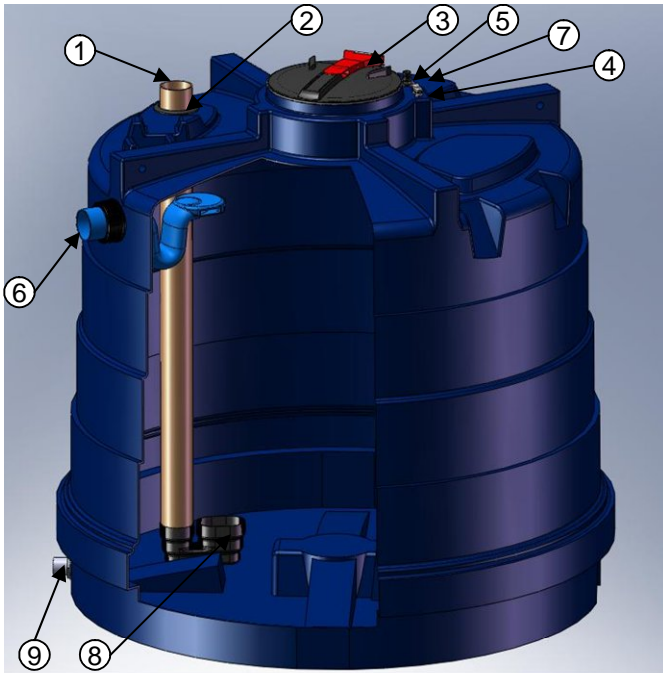




Description:

- A large capacity (3600 Ltr) commercial rainwater storage tank for the serious water user.
- Available in Blue, this tank is qualified for the UK Water Technology List



Features

Delivery complete with all items shown

1. Inlet (110mm Downpipe)
2. Sealing Grommet
3. 16" Vented Lid
4. 2 off Cable Glands
5. Tank Connector for submersible pump (25mm Hose Internal/ 3/4" BSP External)
6. Siphon Overflow
7. Eye Bolt
8. Calmed Inlet
9. 2" BSP Outlet

How it works:

1. Rainwater is fed into the tank via the downpipe (through a filter).
2. A calmed inlet is fitted at the bottom of the tank so as incoming water does not disturb settled sediment etc.
3. A Siphon Overflow located at the fill level of the tank skims of excess water and any floating debris.
4. A 2" BSP connector outlet can be used as an extraction point or for linking to a secondary tank to increase storage capacity.
5. The 16" lid allows access to a submersible pump (if installed) and for cleaning purposes.
6. A tank connector is fitted to allow a 25mm hose to be connected internally from a submersible pump.

How it works (contd)

7. The tank connector has a 3/4" BSP thread to allow connection of a hose to take pumped water away.
8. Two cable glands are fitted to the top of the tank for the pump power cable and probe cable if required.
9. An Eye Bolt is located at the lid for fixing of a chain/rope to the pump to allow for easier retrieval of the pump.

Technical Data:

Diameter:	1900mm
Height:	1805mm
Internal Neck Diameter:	383mm
Capacity:	3600Ltr
Material:	Polyethylene
Guarantee Period:	2 Years
Availability:	In Stock
Site of Manufacture:	Banbridge

Installation

- The tank base needs to be fully supported.
- Remove the bung from Inlet Downpipe.
- Ensure the calmed inlet is resting flat on the bottom of the tank. (This may have moved during transit)
- Using a 110mm Female connector, link rainwater feed pipe to tank inlet downpipe. Ensure the calmed inlet is not dislodged from its position and remains resting flat on the tank bottom. Note, it is recommended a filter is used to clean the water prior to entering the tank. Listed below are the range of Titan filters available.
- Remove the bung from the Siphon Overflow.
- Using a 110mm Female connector, link the siphon overflow to a suitable drain/waste water point.
- For extraction of water, the 2" BSP connector can be linked to an inline pump, allowing drainage from the base of the tank.
- Alternatively, the 2" BSP connector can be used to link the tank to a secondary storage tank. (Note: the cover over the 2" BSP connector is only for keeping the connector protected and clean. Do not rely on this to stop water)
- If extraction of water is to be carried out with a submersible pump, fit a 25mm hose to the internal end of the tank connector. Remove the cover from the external ¾" thread and fit a suitable fitting and hose.
- If using a submersible pump, remove the bung from the cable gland and feed the power cable through. The second cable gland can be used for a water level probe.
- It is recommended a chain is fixed to the pump and to the Eye bolt on the top inside surface of the tank to allow for lowering and raising of the pump for maintenance and cleaning.

Maintenance and Cleaning

The Calmed Inlet and Siphon Overflow Filter are self cleaning and maintenance free. Assuming a suitable filter is being used to treat the water prior to entering the tank, there should be minimal dirt and floating debris in the tank. If cleaning of the tank is required, water should be pumped out leaving only a minimal amount on the bottom. The sediment should be agitated and after disconnecting the 110mm inlet and outlet pipes, disconnect the 2" BSP connection and tilt the tank to allow the remaining water to flush the dirt out. Remove the submersible pump (if fitted) during cleaning.

Filters available from Titan

Titan Rainstore 800 Filter

Suitable for areas
up to 800m²



Titan Rainstore 500 Filter

Suitable for areas
up to 500m²

